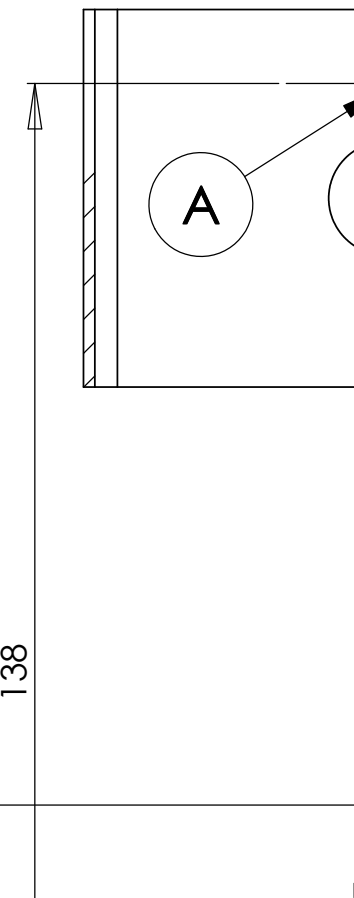
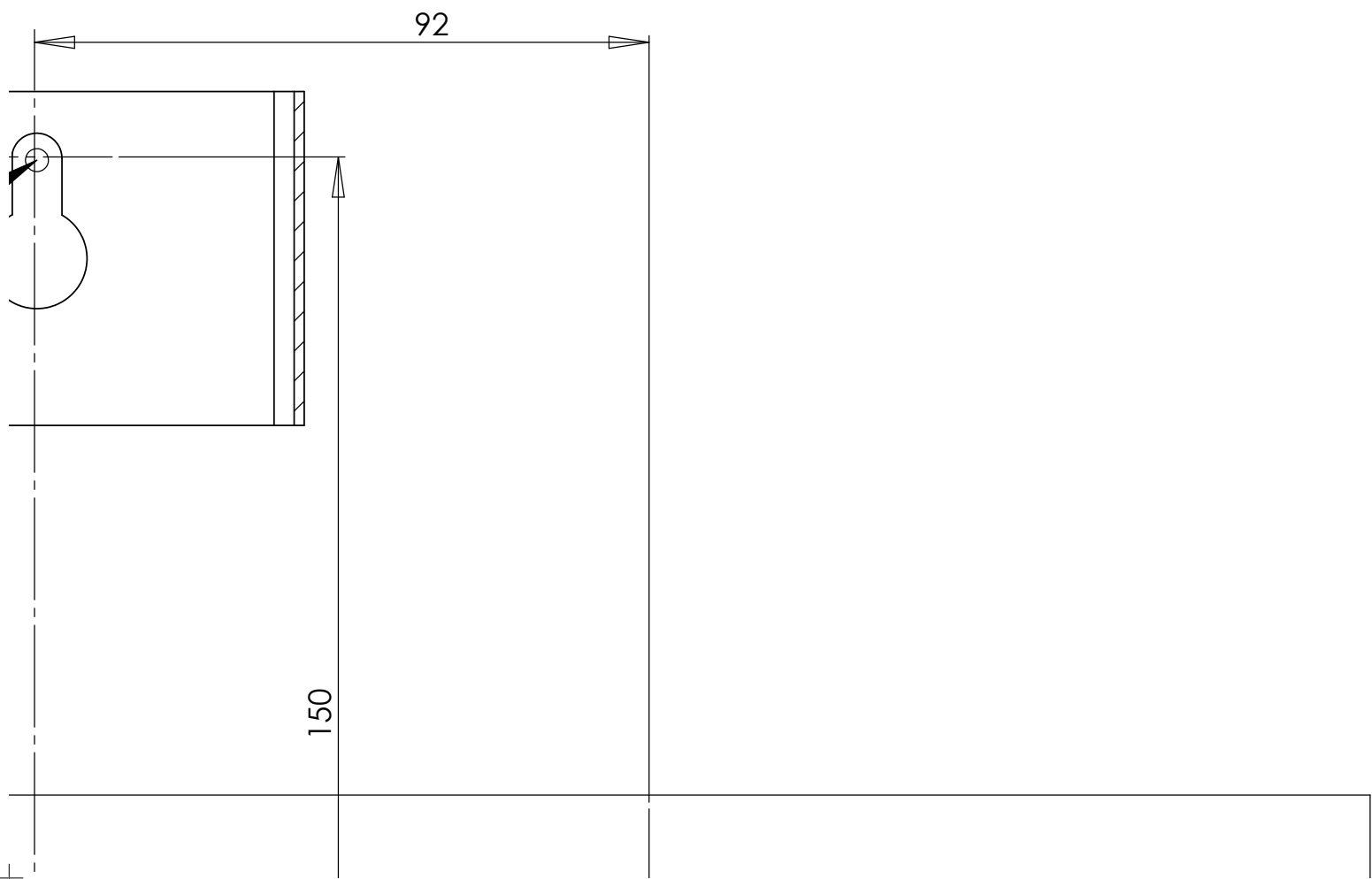
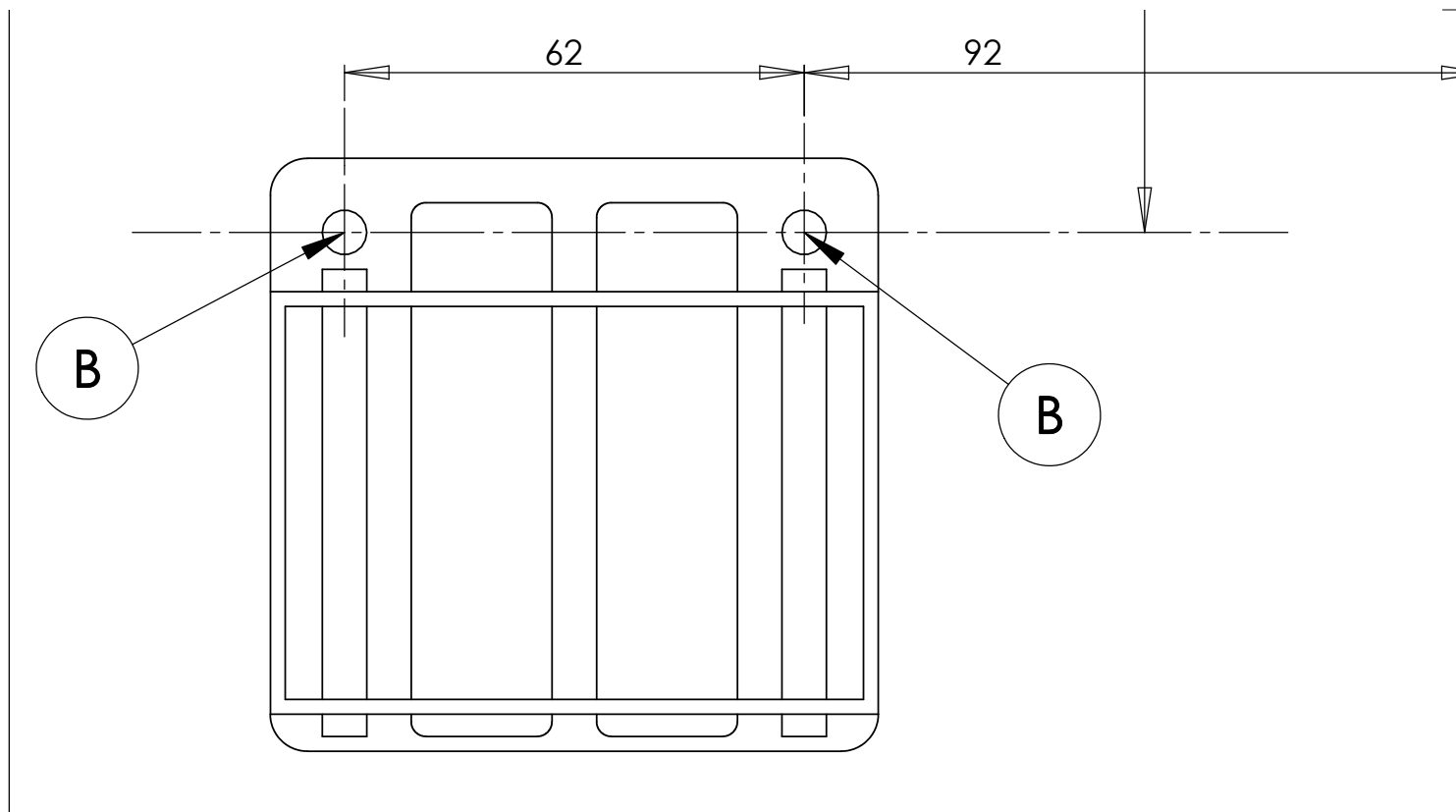


Advised height of hole A above floor = 180-200 cm
Hole A = main support hook
Holes B = screws to mount adapter

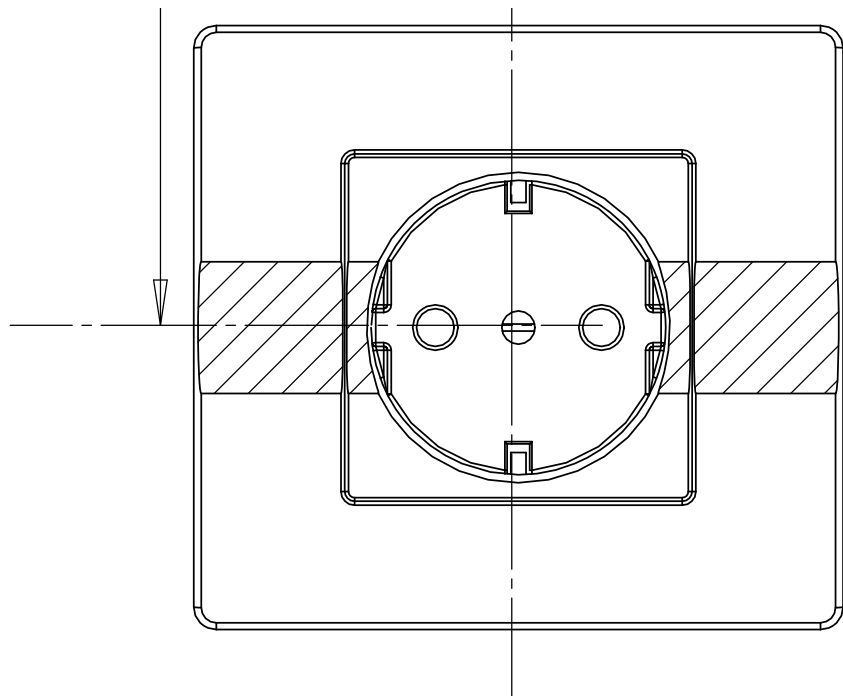
Copyright ooclock 2018







All parts must b



e within this box